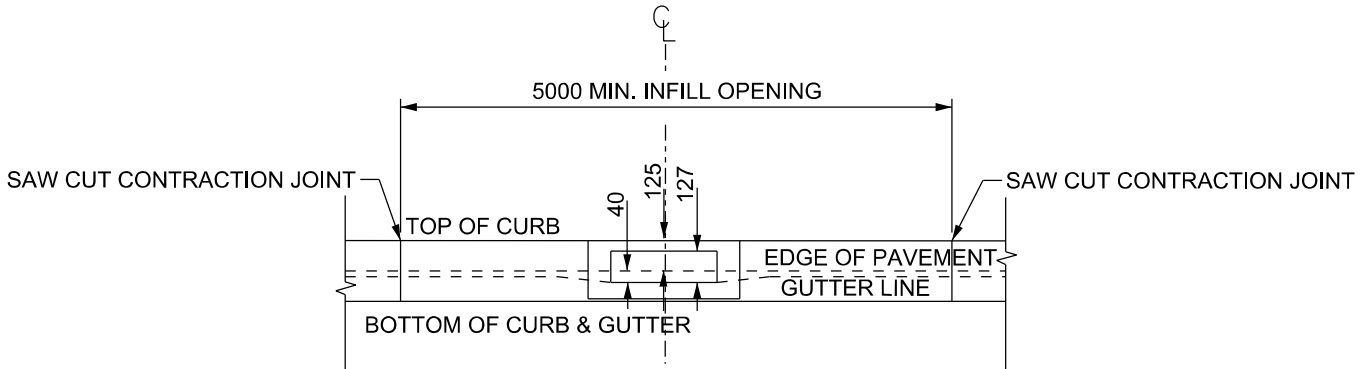
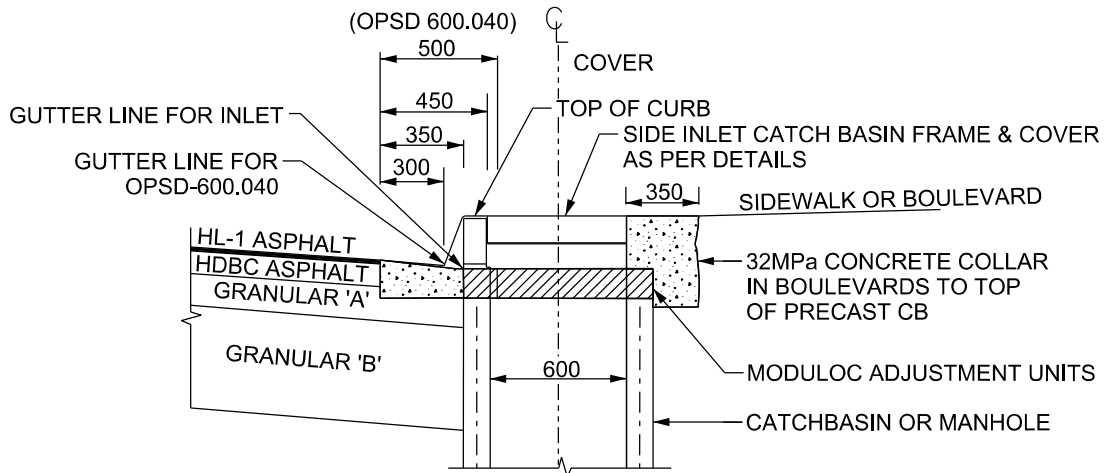


PLAN VIEW



SECTION 'A'-'A''



SECTION 'B'-'B''

NOTES

1. THIS DRAWING MUST BE USED IN CONJUNCTION WITH STANDARD DRAWING 5-2-12B
2. ALL DOUBLE INLETS, MAINTAIN 100mm SEPERATION BETWEEN FRAMES AND FILL WITH CONCRETE
3. IN ALL BOULEVARD AREAS, INSTALL 300mm WIDE CONCRETE (32MPa) COLLAR AS SUPPORT
4. SIDE INLET FRAME AND COVER TO BE MANUFACTURED IN ACCORDANCE TO OPSS 1850 REQUIREMENTS
5. MAXIMUM 75mm DEVIATION FROM CENTRELINE IN MODULOC ADJUSTMENT UNITS IS ALLOWED
6. ALL LOW POINTS/COLLECTOR BASINS SHALL USE OPSD 400.100/400.110 FOR FRAME AND COVER WITHIN THE ROADWAY

ALL DIMENSIONS ARE IN MILLIMETERS UNLESS OTHERWISE SPECIFIED.



**PUBLIC WORKS
STANDARD DRAWING**

DATE: JANUARY 2015

APPROVED BY

DRAWN BY

G.K./S.L.

O.A.

**SIDE INLET CATCHBASIN FRAME AND COVER
INSTALLATION**

STD. DWG. NUMBER

SCALE

5-2-12A

N.T.S.