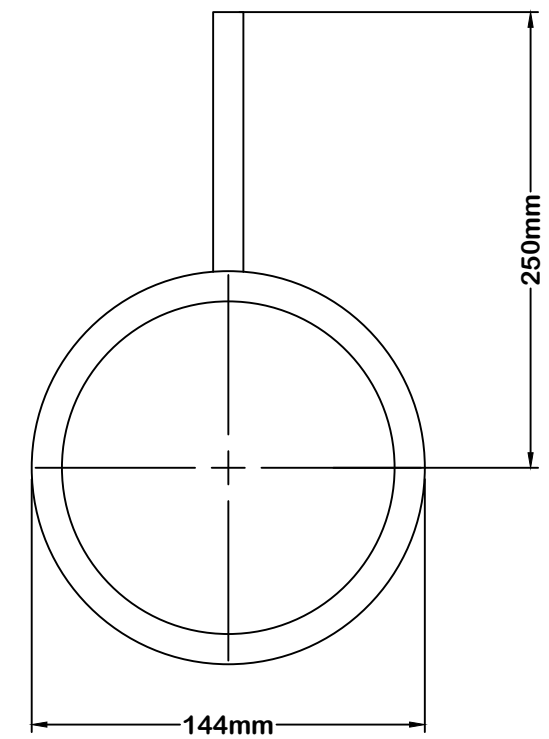


NOTES:

1. ALL BRACKETS AND BOLTS ARE TO BE STAINLESS STEEL.
2. INSTALL STAINLESS STEEL CABLE STRAIN RELIEVER TO PROTECT CABLE.
3. CONDUIT (AND CABLE) ENTRY CONNECTION TO THE INSTRUMENT SHALL BE 900MM FLEXIBLE. THE BALANCE IN RIGID CONDUIT.


LEVEL FLOAT SWITCH MOUNTING DETAILS



NOTES:

1. ALL UNITS TO BE SUPPLIED STAINLESS STEEL.
2. PROVIDE STAINLESS STEEL SWAY RINGS ON ALL FLOATS, MINIMUM 1.0m INTERVALS..

STAINLESS STEEL SWAY RING DETAIL FOR LEVEL FLOAT SWITCH

	PUBLIC WORKS STANDARD DRAWING		REV. DATE: JULY 2021	
			APPROVED BY MM	DRAWN BY ERAMOSA
LEVEL FLOAT SWITCH MOUNTING DETAILS			STD. DWG. NUMBER SPS-312	SCALE Not to Scale